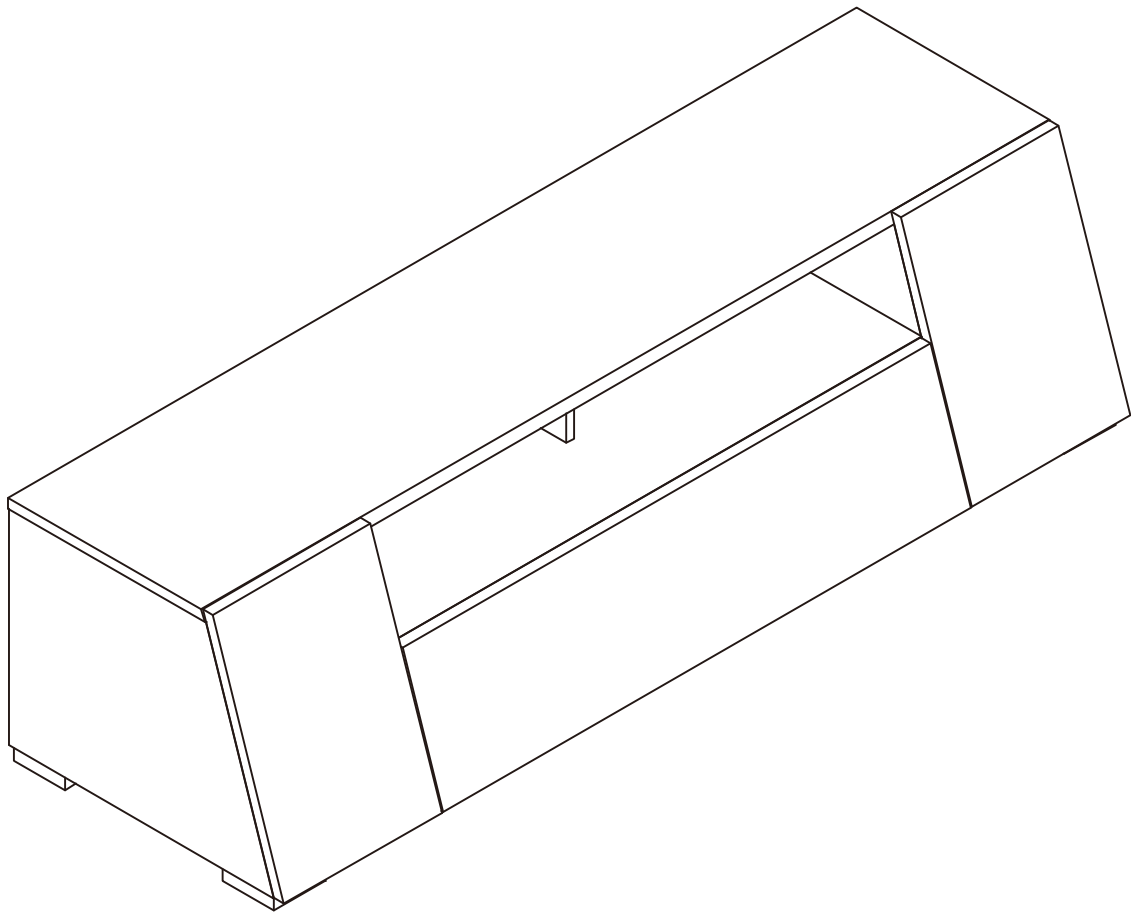


# CHLORA

1308\_70119



# 1308\_70119

A		Ø 7*33	x14	1/2	M		Ø 6*17	x8	1/2						
B		Ø 15*12	x14	1/2	N			x1	1/2						
C		Ø 18	x14	1/2	O		M4	x1	1/2						
D		Ø 8*30	x28	1/2	P		Ø 56*12	x1	1/2						
E		Ø 6*50	x10	1/2	Q		L=400	x2	1/2						
F		Ø 4*14	x24	1/2	R		L=400	x2	1/2						
G		Ø 3.5*12	x24	1/2	S		L=400	x2	1/2						
H		Ø 4*30	x18	1/2	T		L=400	x2	1/2						
I		Ø 12*9.5	x8	1/2	U		H=1	x7	1/2						
J		Ø 6*26	x8	1/2	a			x1	1/2						
K		Ø 6*30	x4	1/2											
L		Ø 35	x4	1/2											

FR : SAV/INFORMATION /CONTACT

EN : AFTER-SALES SERVICE/INFORMATION/CONTACT

DE : REPARATUR-SERVICE UND ERSATZTEILE /INFORMATIONEN /KONTAKT

ES : SERVICIO POST-VENTA/INFORMACIÓN/CONTACTO

IT : SERVIZIO ASSISTENZA/INFORMAZIONI/CONTATTO

PT : SERVIÇO PÓS-VENDA/INFORMAÇÕES/CONTATO

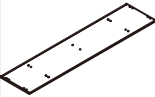
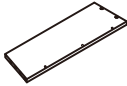

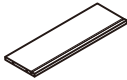
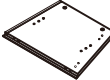

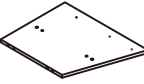
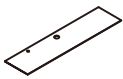
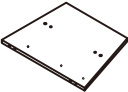

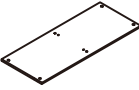

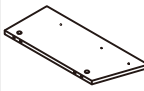
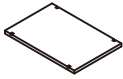
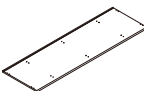

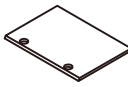

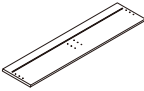
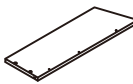
PL: SERWIS TECHNICZNY/INFORMACJE/KONTAKT

NE: AFTER SALES SERVICE/INFORMATIE/CONTACT

HE: מע רשקתל/ואדיווה/תורכמו תוריש רחאל

**SAV.HABITATETJARDIN.COM**

# 1308\_70119

1		1600*372*18	x1	1/2	13		430*140*12	x2	2/2					
2		388*500*18	x1	2/2	14		442*140*12	x2	2/2					
3		388*500*18	x1	2/2	15		452*424*5	x2	1/2					
4		372*479*15	x1	2/2	16		1571*382*5	x1	1/2					
5		372*479*15	x1	2/2	17		96*96*25	x4	2/2					
6		1000*412*15	x1	2/2	18		60*60*25	x1	2/2					
7		479*200*15	x1	2/2	19		264*390*15	x2	2/2					
8		1591*500*15	x1	1/2	20		196*157*15	x1	2/2					
9		432*298*18	x1	2/2										
10		432*298*18	x1	2/2										
11		995*248*18	x1	2/2										
12		430*140*12	x2	2/2										

FR : SAV/INFORMATION /CONTACT

EN : AFTER-SALES SERVICE/INFORMATION/CONTACT

DE : REPARATUR-SERVICE UND ERSATZTEILE /INFORMATIONEN /KONTAKT

ES : SERVICIO POST-VENTA/INFORMACIÓN/CONTACTO

IT : SERVIZIO ASSISTENZA/INFORMAZIONI/CONTATTO

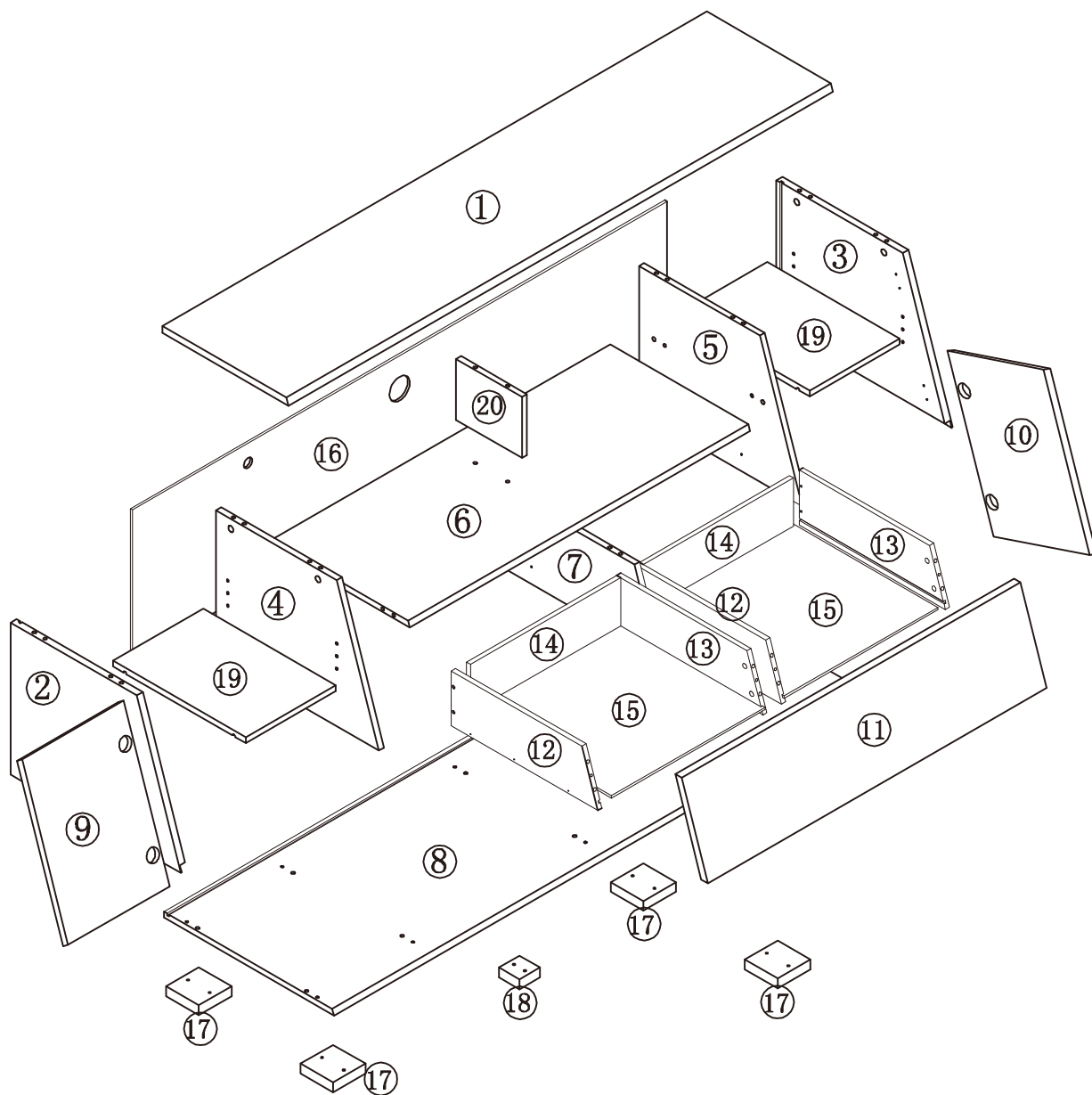
PT : SERVIÇO PÓS-VENDA/INFORMAÇÕES/CONTATO

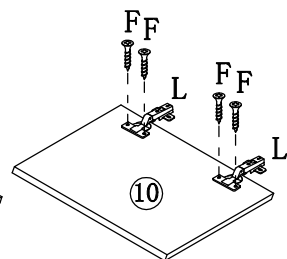
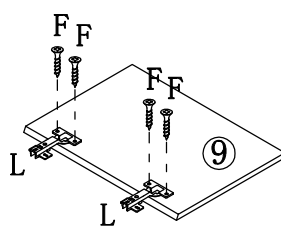
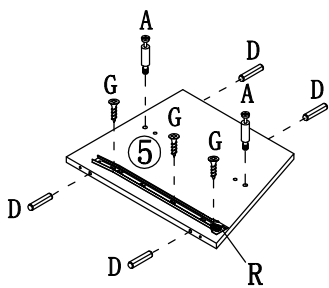
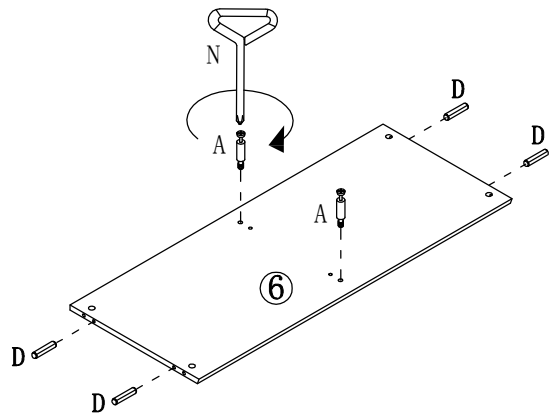
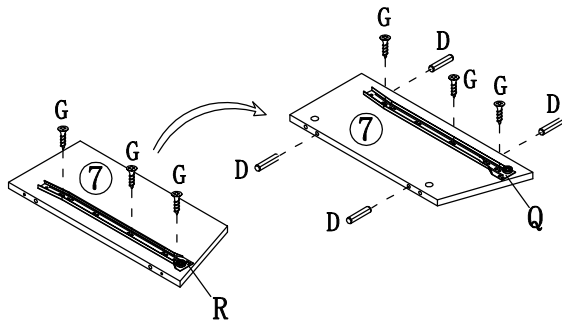
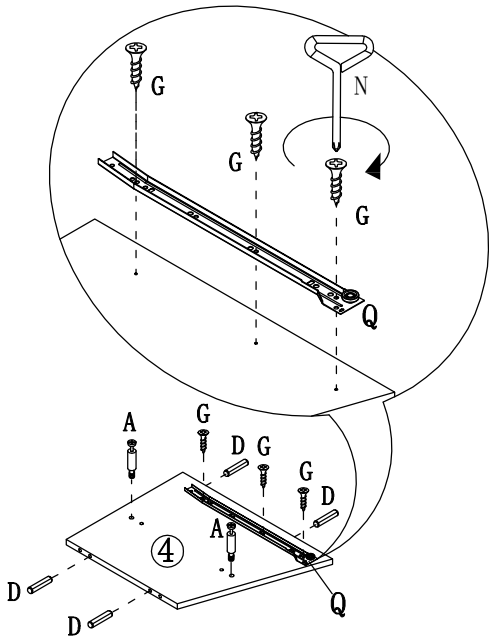
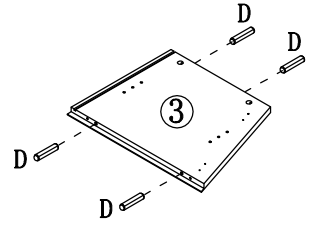
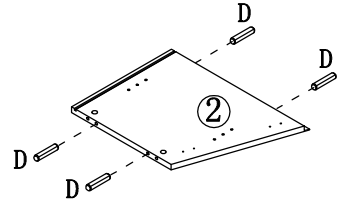
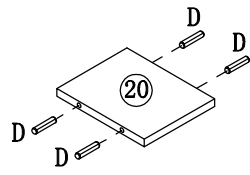
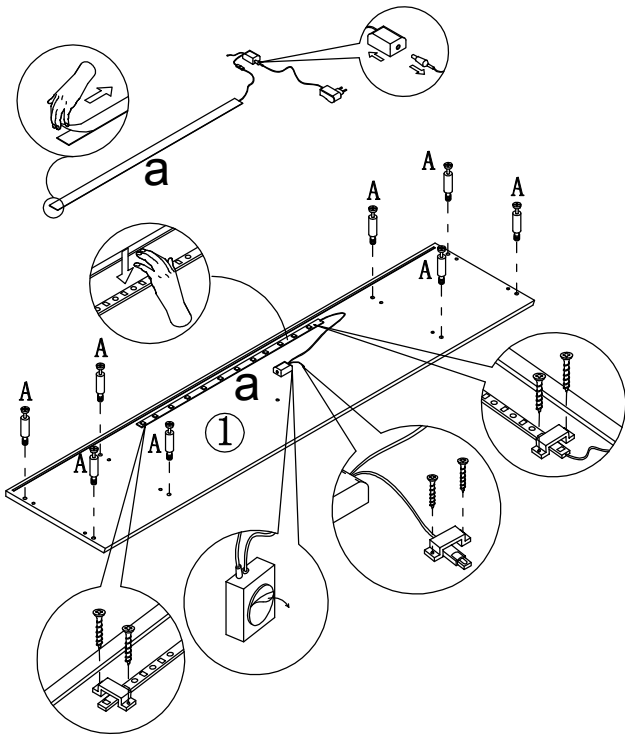
PL: SERWIS TECHNICZNY/INFORMACJE/KONTAKT

NE: AFTER SALES SERVICE/INFORMATIE/CONTACT

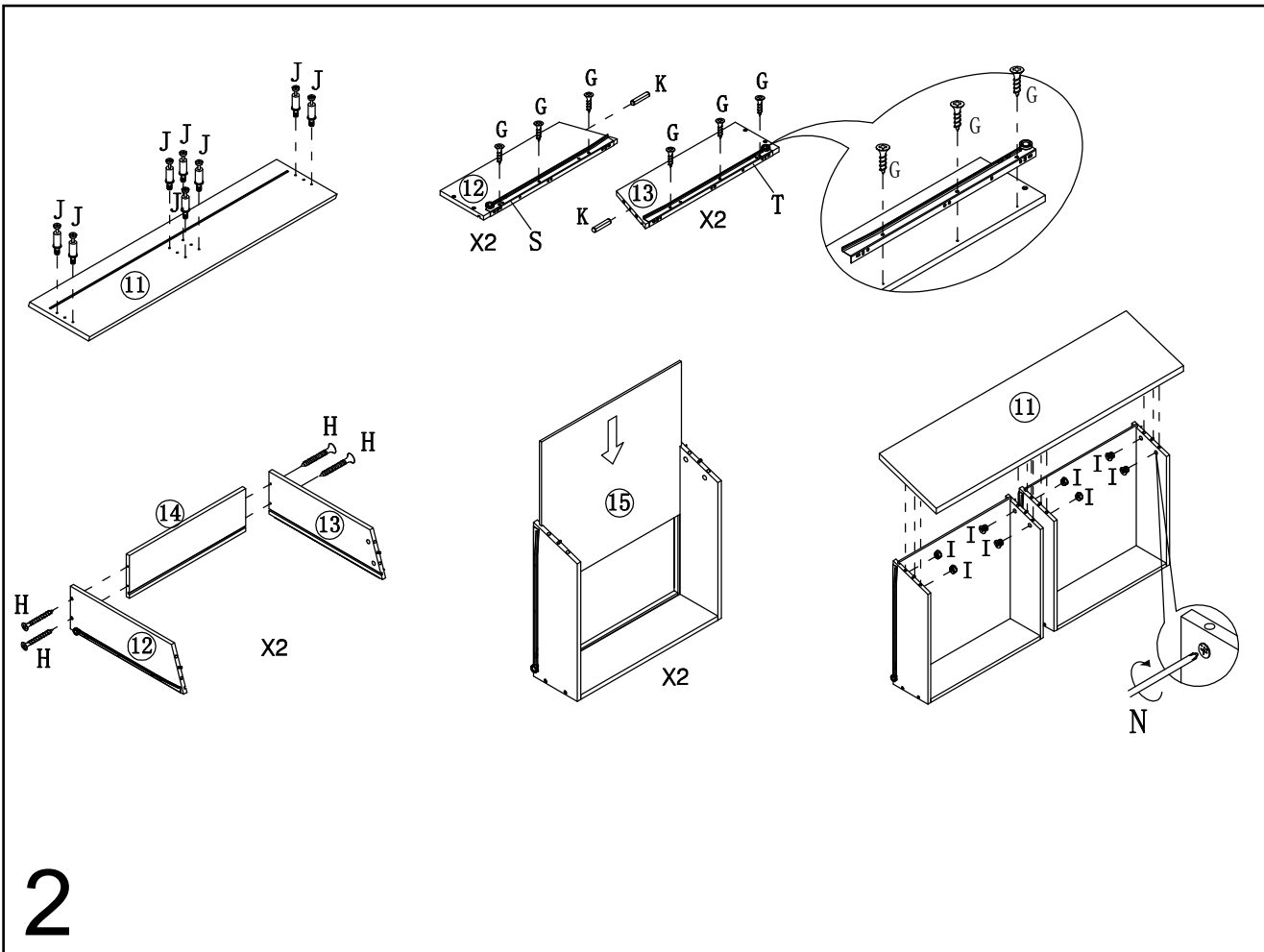
HE: מע רשקתל/ואדיווה/תורכמו תוריש רחאל

**SAV.HABITATETJARDIN.COM**

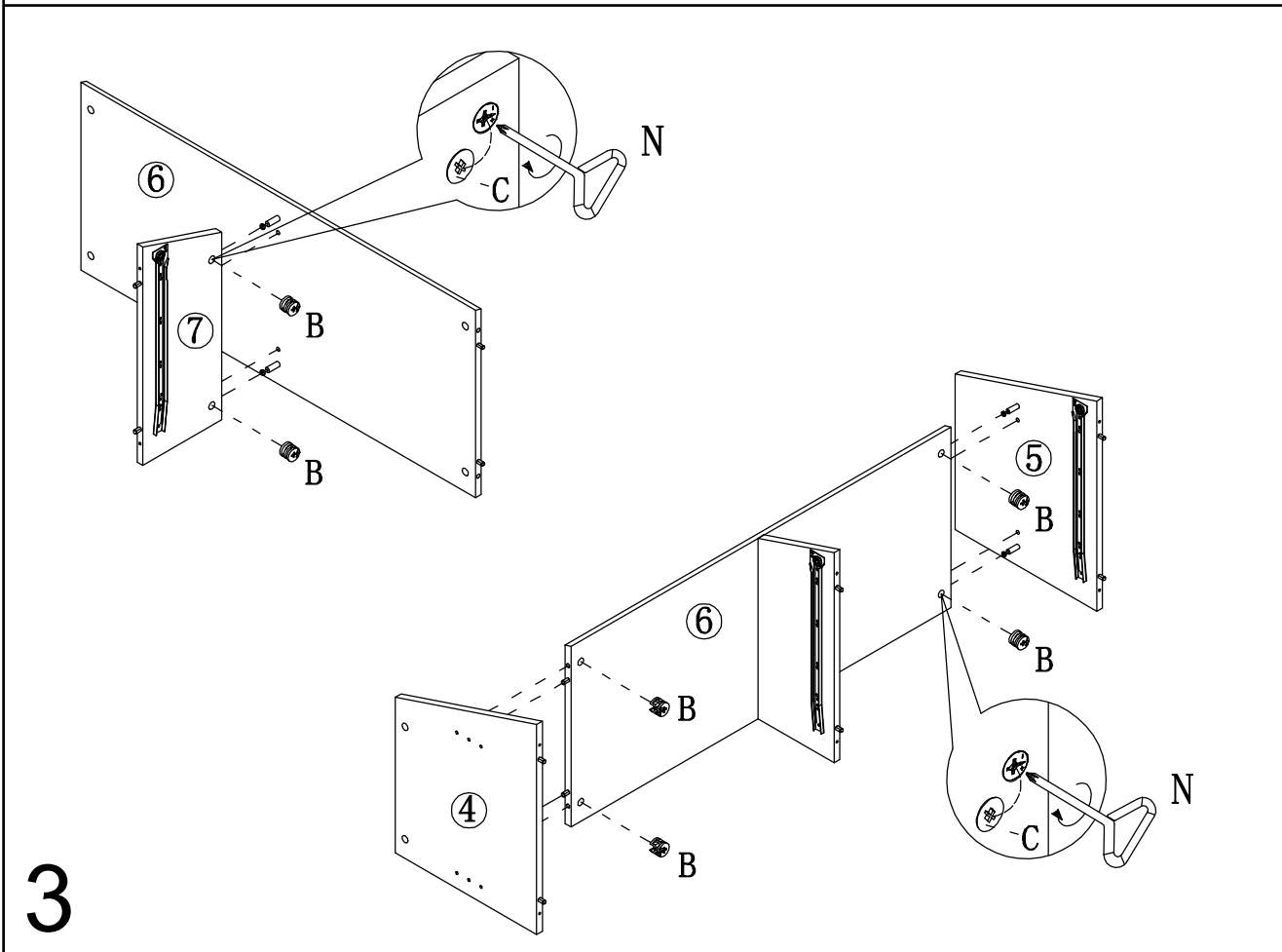




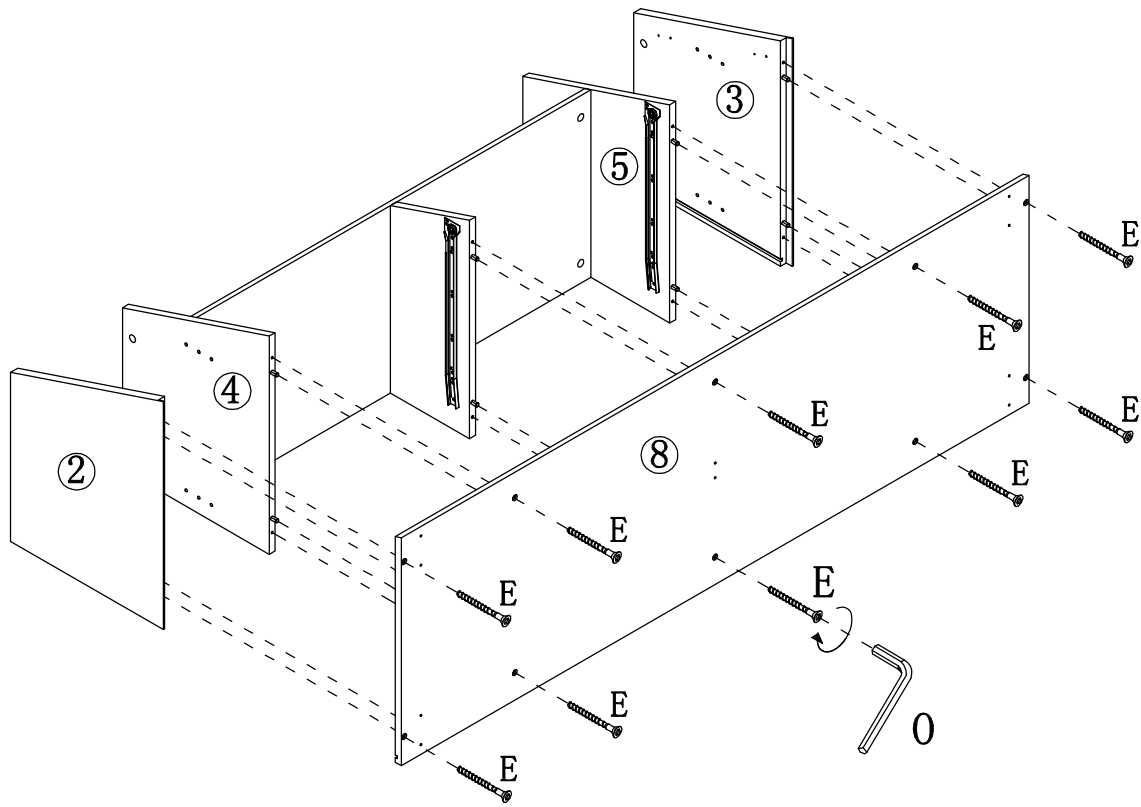
1



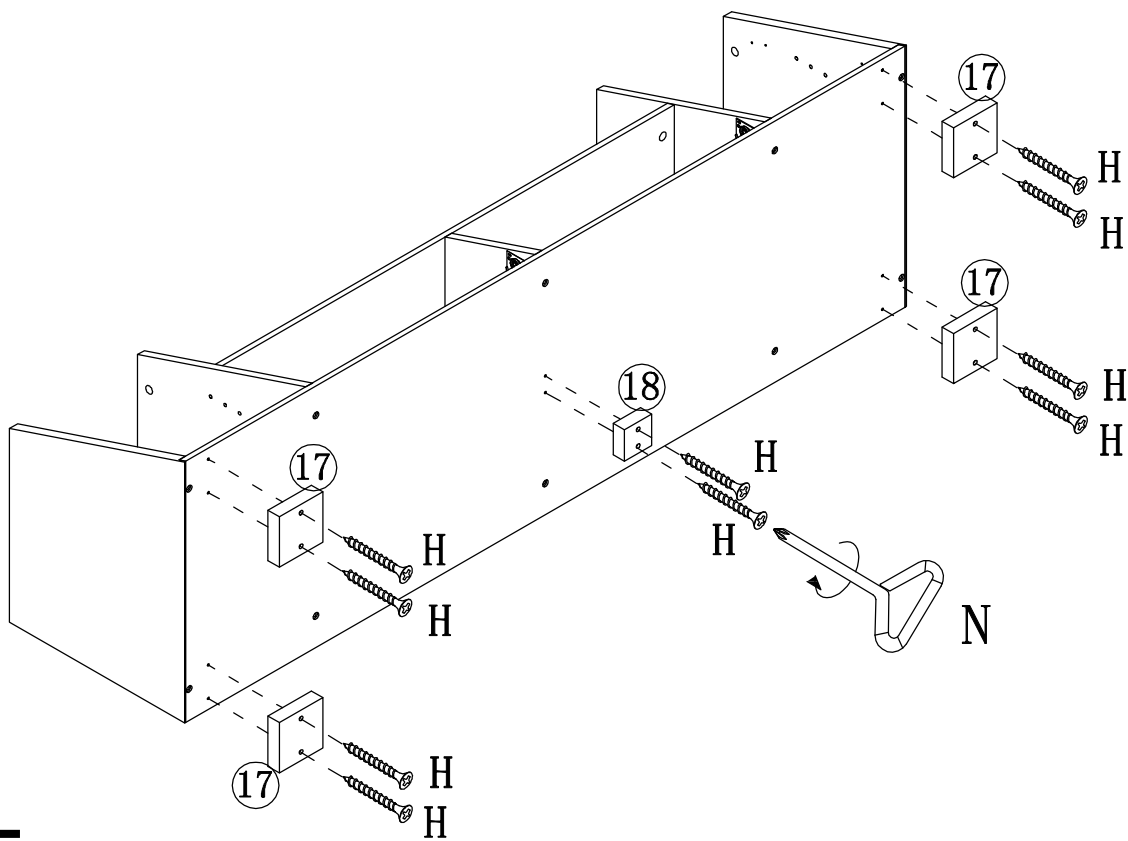
2



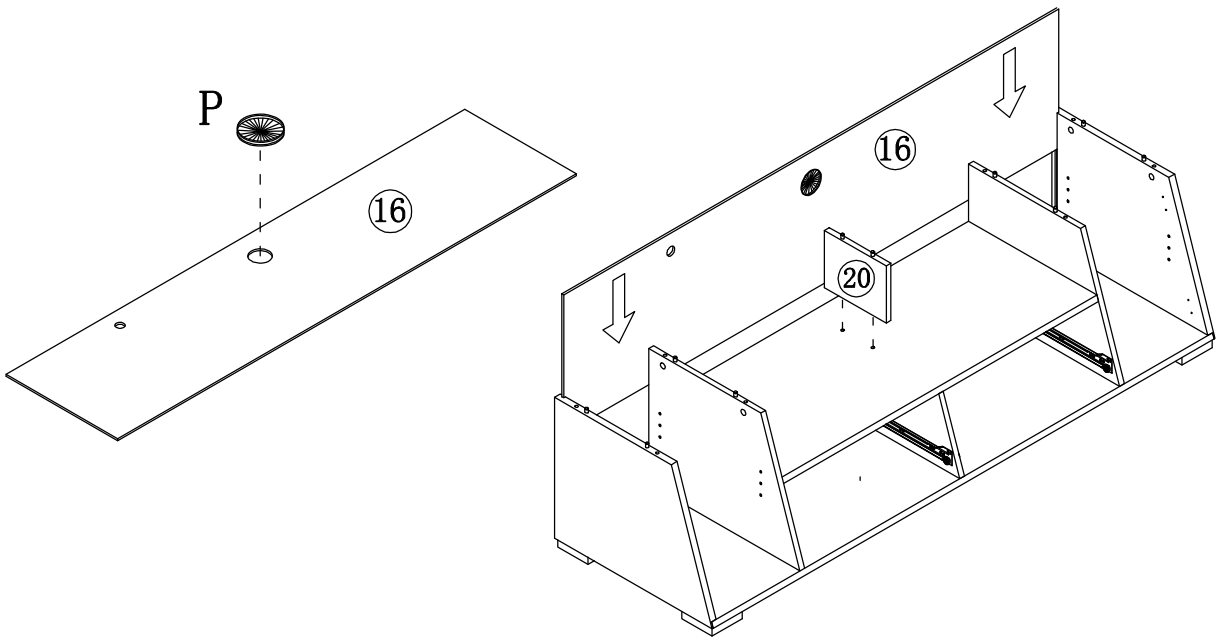
3



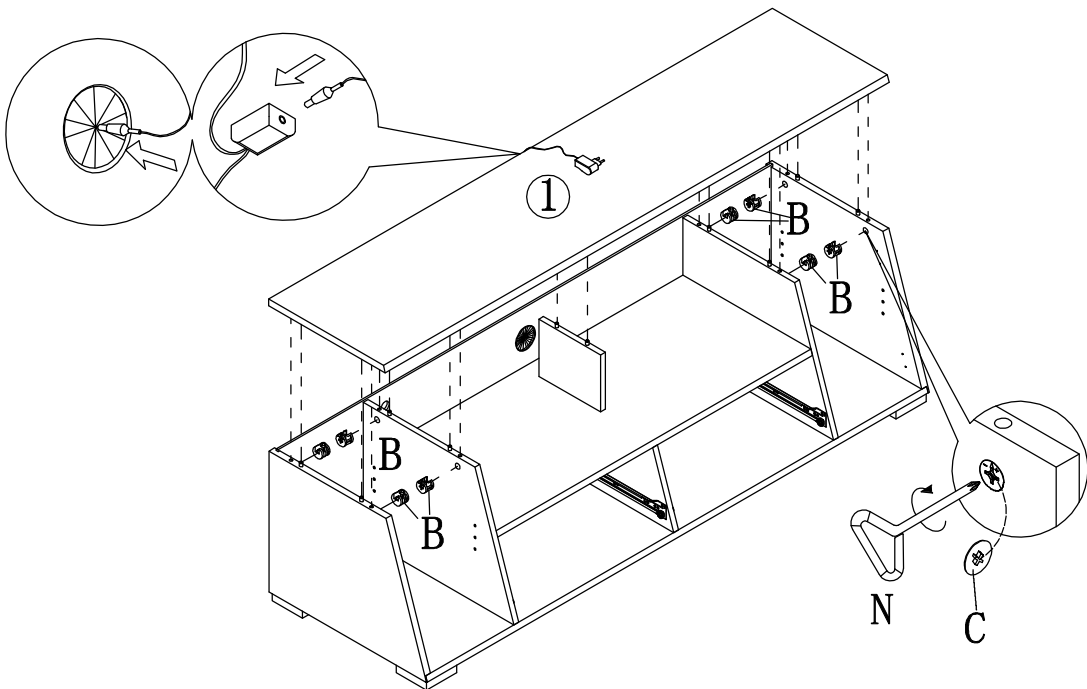
4



5

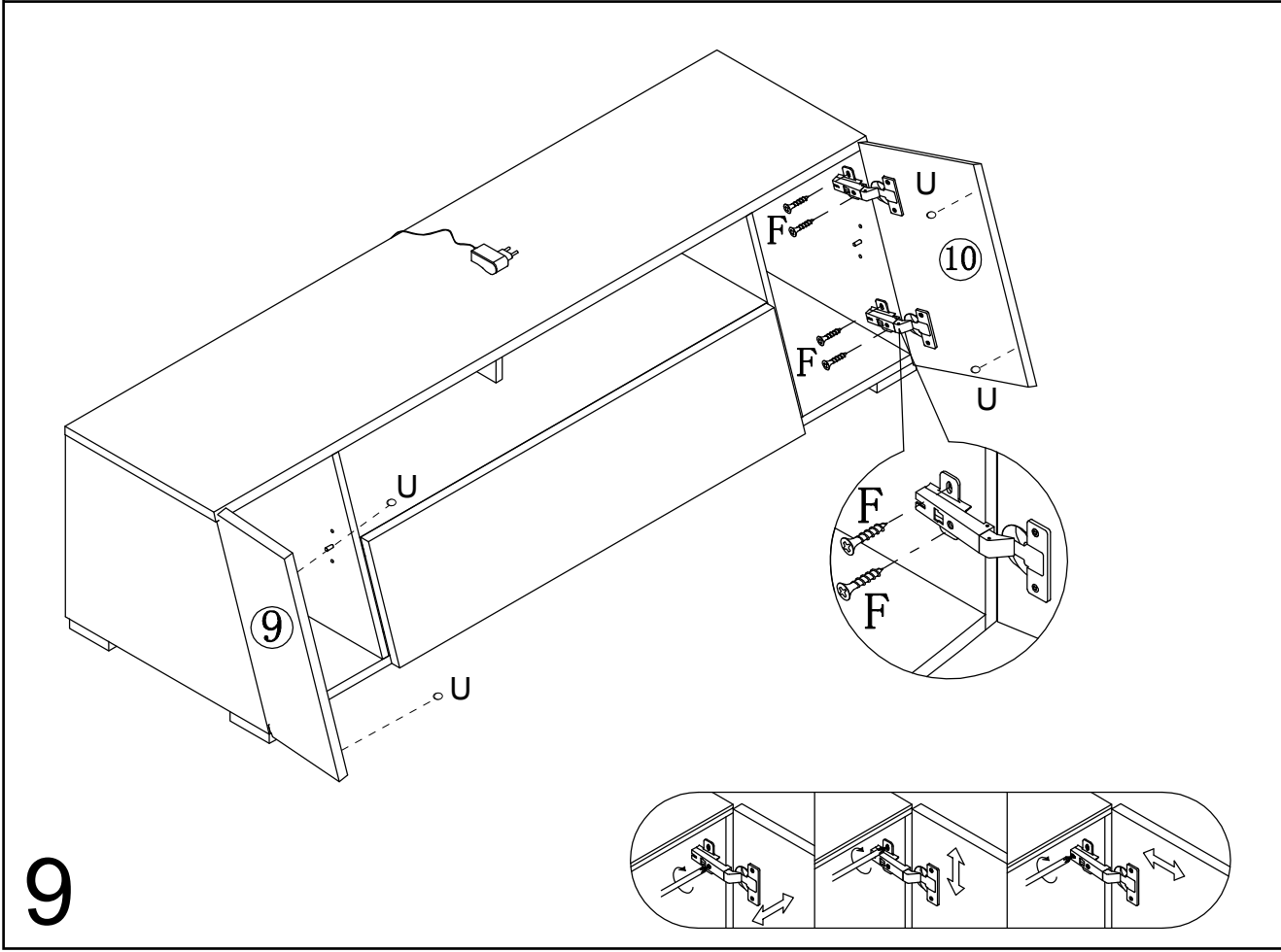
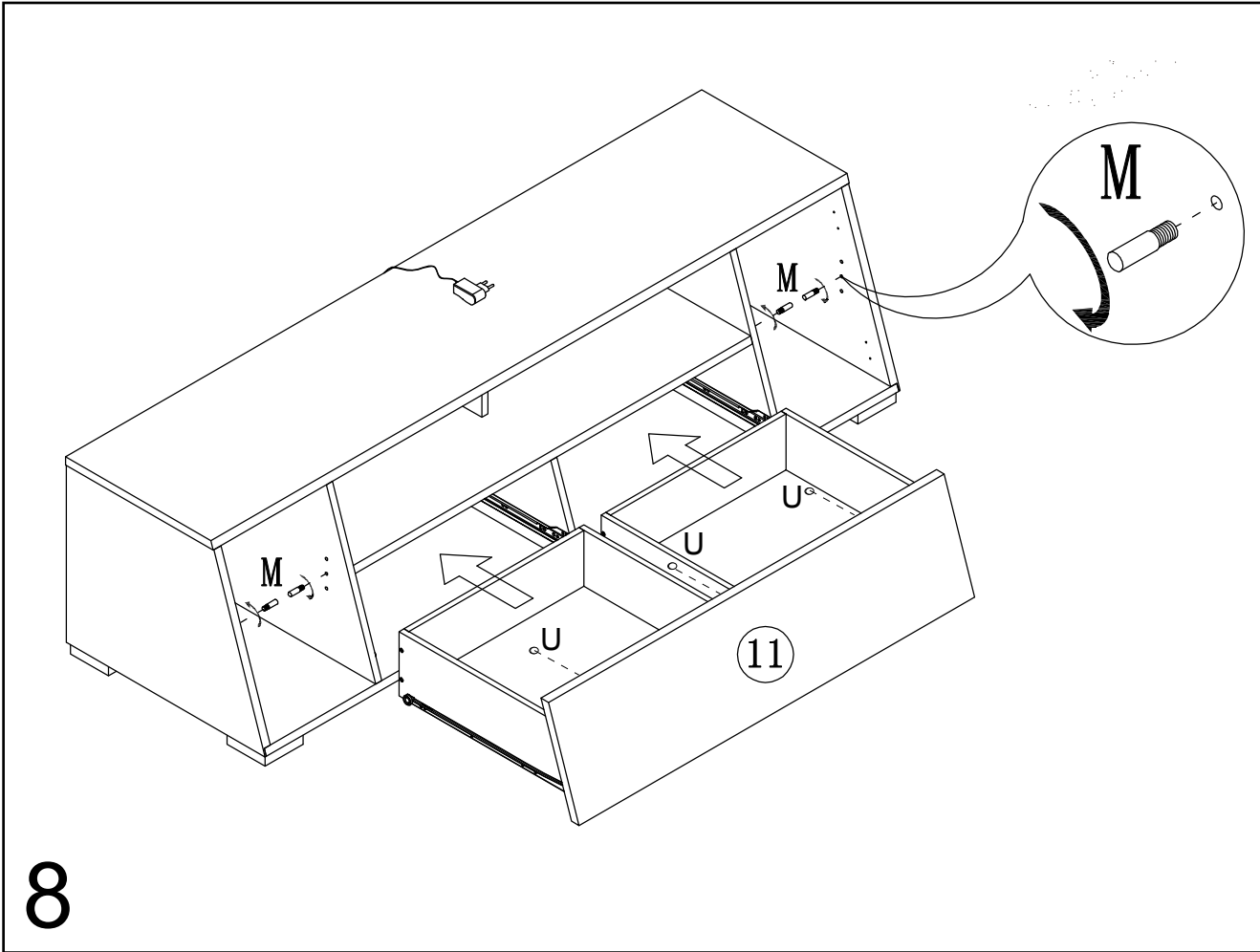


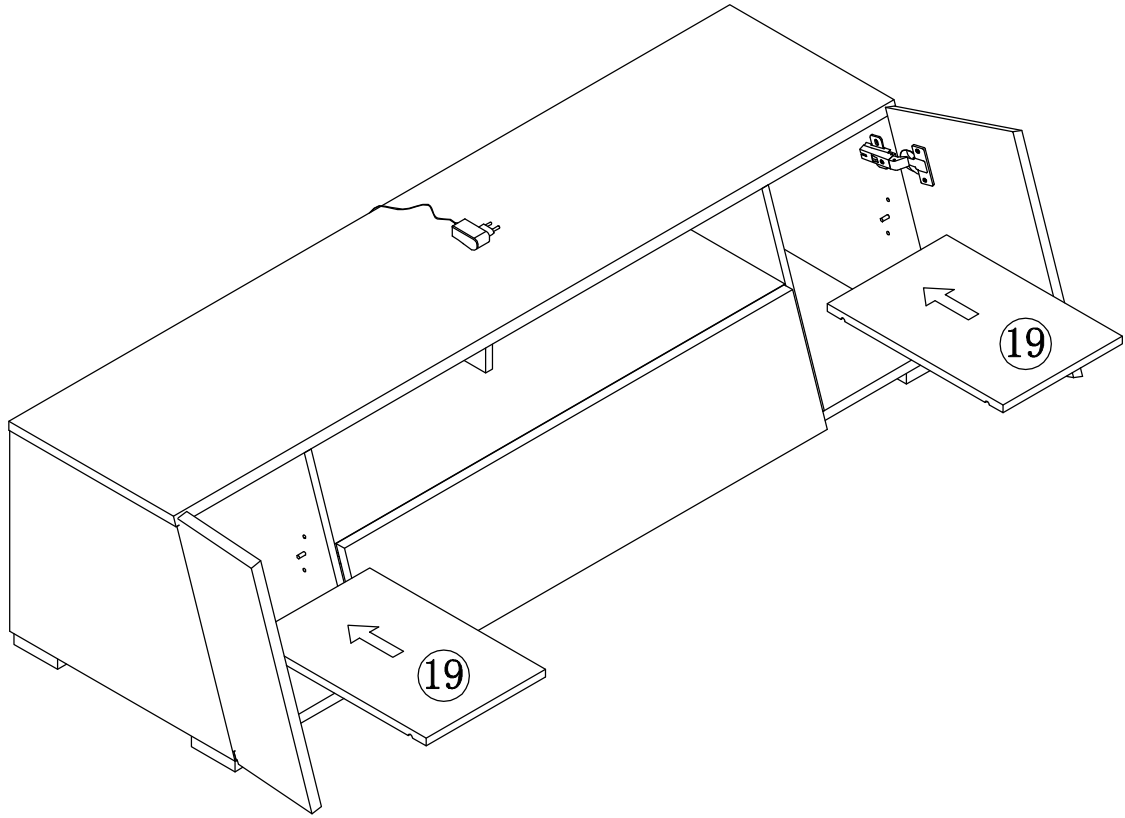
6



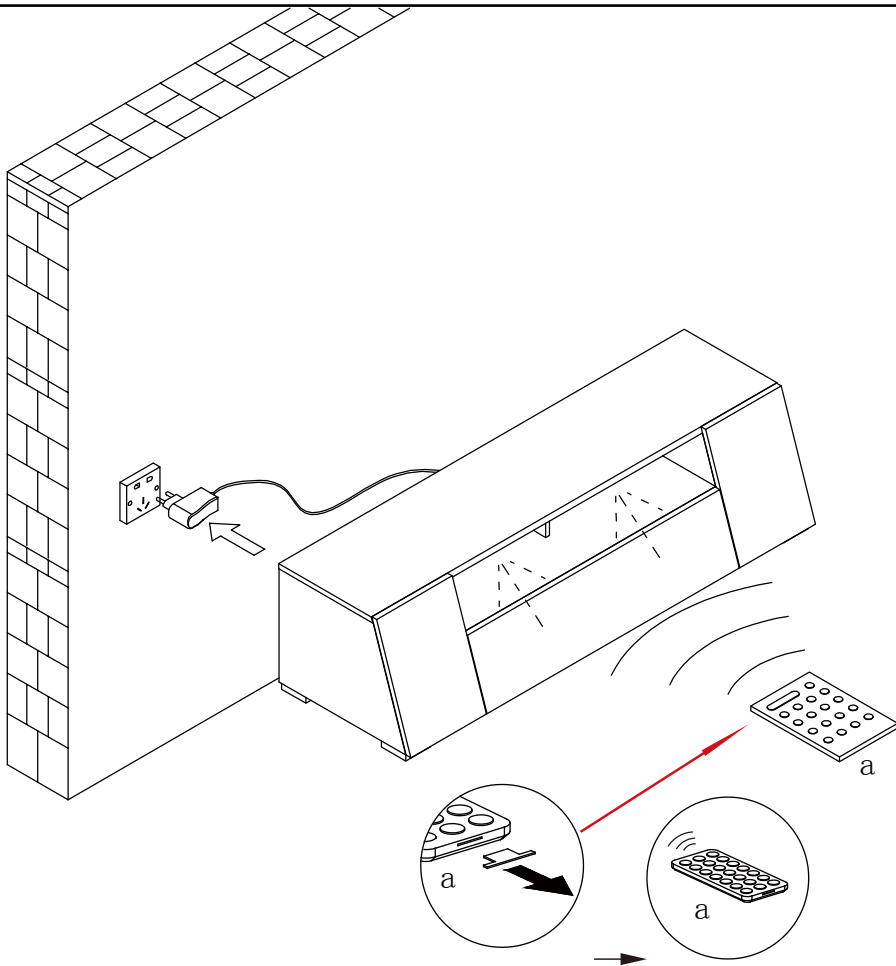
7







10



11